



26 May 2026

SUPPLEMENTAL BID BULLETIN
ADDENDUM NO. 2026-42-01

Subject: Supply, Delivery, Installation, Testing, Training and Commissioning of S-Band Magnetron Type Dual Polarization, Doppler Weather Radar and Accessories at Brgy. Punta, Aparri, Cagayan - Re bid
(Reference: PR 2025-11-0718 || IB 2026-42 R)

This Bid Bulletin is being issued to all prospective bidders to clarify, amend and/or modify certain provisions in the Bidding Documents, to wit:

From	To
<p>Lightning protection (De Ionization Technology)</p> <p>Whether the provision of alternative lightning protection technology compliant with international standards is acceptable.</p>	<p>Lightning protection (De Ionization Technology)</p> <p>The specified De-Ionization Technology shall be maintained.</p>
<p>3.2 Bidders Experience and Capability</p> <p>Single Largest Completed Contract (SLCC)</p> <p>Whether RF Spectrum Analyzer-related projects may be presented and considered as SLCC for purposes of the instant Project.</p>	<p>RF Spectrum Analyzer projects are merely limited to testing and measurement functions only and are not comparable to the scope, complexity, and requirements of weather radar system supply, installation, testing, commissioning, or maintenance.</p> <p>Hence, the existing SLCC requirements under Item 3.2.1.2 shall be maintained as stated in the Bidding Documents.</p>
<p>Joint Venture Eligibility Documents</p> <p>We would like to seek clarification regarding the required eligibility documents for submission under a Joint Venture (JV) arrangement. Specifically, may we confirm whether the foreign joint venture partner is required to submit the full set of eligibility documents listed under Tab A to Tab F of the bidding requirements?</p>	<p>Joint Venture Eligibility Documents</p> <p>For Joint Venture bidders, each local Filipino JV partner shall submit its corresponding PhilGEPS Platinum Registration and Membership Certificate as part of the eligibility requirements during bid submission.</p> <p>In cases where the Joint Venture includes a foreign partner, the foreign bidder may submit equivalent eligibility documents in lieu of a PhilGEPS Certificate during bid submission, subject to the applicable Bidding Documents and existing procurement laws, rules, and regulations. Compliance with PhilGEPS registration by the foreign JV partner may subsequently be required during post-qualification.</p> <p>All foreign-issued documents executed abroad shall comply with the applicable authentication requirements, including apostille certification or consularization, where applicable.</p> <p>ADDITIONAL DOCUMENT FOR FOREIGN BIDDER:</p> <ul style="list-style-type: none"> • Certification from the relevant government office of its country stating that Filipinos are allowed to participate in their government procurement activities for the same item/product; OR

"tracking the sky...helping the country"

<p>Additionally, we would like to clarify whether the Single Largest Completed Contract (SLCC) of the local JV partner may be used as the SLCC of the Joint Venture for purposes of meeting the technical eligibility requirement.</p>	<ul style="list-style-type: none"> • Copy of legislation from the country of the bidder allowing foreign bidders to participate in their government procurement, if applicable. <p>Notes:</p> <ol style="list-style-type: none"> Foreign Bidder refers to a citizen of a foreign country or an entity where Filipino ownership or interest is less than sixty percent (60%) who is engaged in the manufacture or sale of the merchandise or performance of the general services covered by his bid. FOREIGN ENTITIES ARE REQUIRED TO SUBMIT, WITHIN TEN (10) CALENDAR DAYS from receipt of the Notice of Award, the Securities and Exchange Commission (SEC) Certificate of Registration of the foreign corporation, OR the SEC Certificate of Registration of foreign consulting firm, AND/OR the authority or license from the appropriate government agency or professional regulatory body of the foreign professionals engaging in the practice of regulated professions and allied professions, where applicable (REVISED AS PER GPPB RESOLUTION NO. 25- 2019). FOR FOREIGN ENTITIES ALREADY REGISTERED WITH SEC DURING THE TIME OF BIDDING, THIS REQUIREMENT MAY BE DISPENSED WITH. If bidding as a JV, all partners must submit the document. <p>In the case of a Joint Venture, the SLCC requirement may be satisfied by any of the JV partners.</p>
<p>Schedule of Submission and Opening of Bids</p> <p>Submission: 04 June 2026 9:00 AM Opening: 04 June 2026 11:01 AM</p>	<p>In view of the urgency of the project, the submission and opening of bids shall remain as previously scheduled.</p> <p>Submission: 04 June 2026 9:00 AM Opening: 04 June 2026 11:01 AM</p>
<p>Single Largest Completed Contract (SLCC)</p> <p>Whether bidders may be allowed to submit aggregate completed contracts for purposes of complying with the SLCC requirement.</p>	<p>Single Largest Completed Contract</p> <p>For this purpose, contracts similar to the Project shall be:</p> <p>a.) Supply, Delivery, Installation, Testing, Training and Commissioning of Radar Systems within the last 10 years.</p> <p>OR</p> <p>b.) Supply, Delivery, Installation, Testing, Commissioning and Maintenance of Weather Radar Systems within the last 3 years.</p>

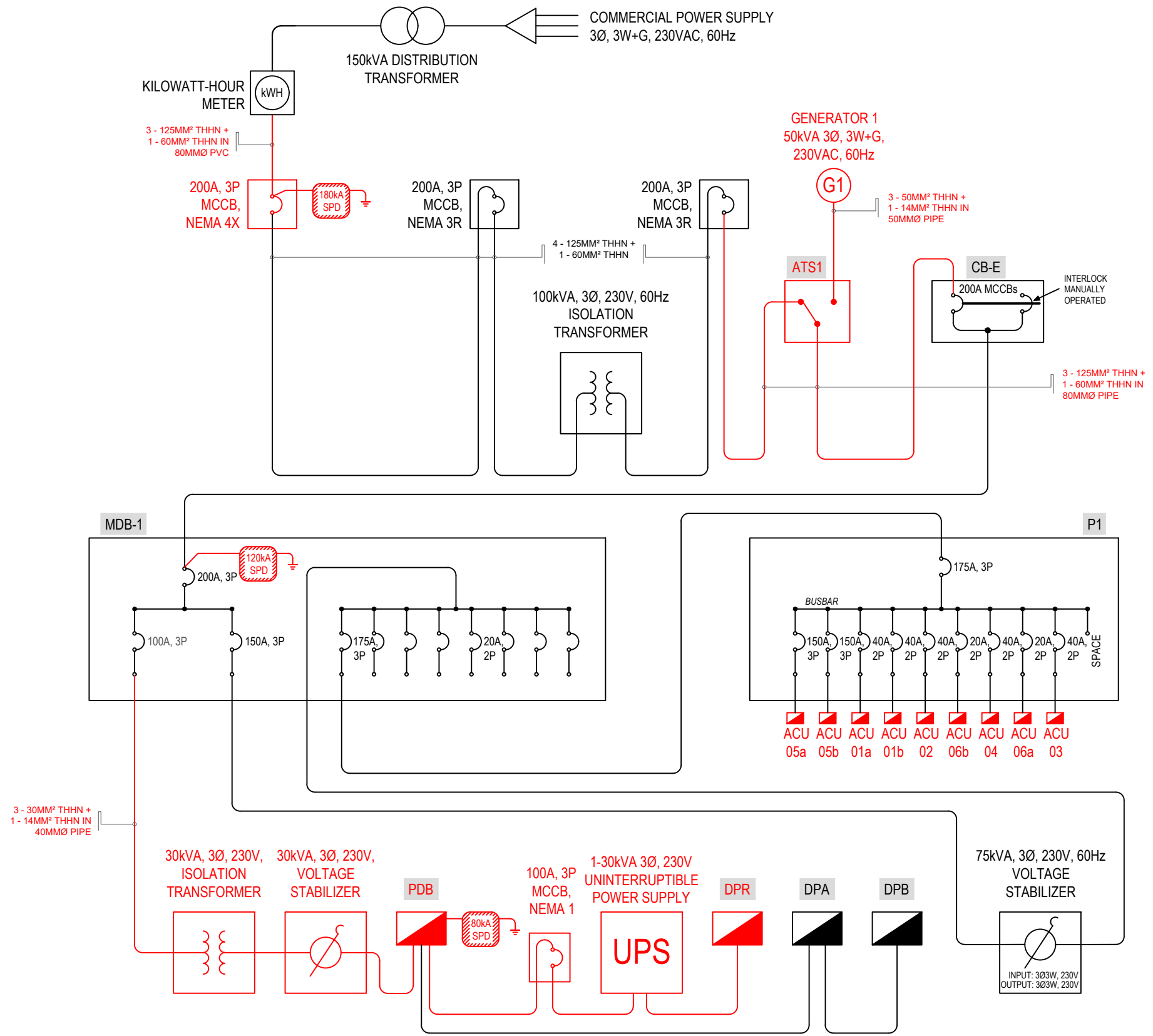
“tracking the sky...helping the country”

	<p><u>Acceptability of Aggregate Contracts</u></p> <p>The Bidder may submit aggregate completed contracts, consisting of a combination of contracts completed within the same period specified above, provided that the total value of such contracts is at least fifty percent (50%) of the Approved Budget for the Contract (ABC), subject to the following:</p> <p>a.) The Bidder must have completed at least one (1) similar contract amounting to at least twenty-five percent (25%) of the ABC for the Supply, Delivery, Installation, Testing, Training, and Commissioning of Radar Systems within the last ten (10) years; and</p> <p>b.) The Bidder must have completed other contracts, whether similar or not, with an aggregate amount of at least twenty-five percent (25%) of the ABC.</p>
<p>8.16.1.2 In the Single-Line Diagram (ANNEX 2), components highlighted in red represent new installations covered under this project. The number and size of wires for each circuit are indicated in the diagram, and all works shall strictly conform to these specifications. Any variations encountered during actual implementation must be properly coordinated with PAGASA for prior review and approval.</p> <p>Clarification on discrepancies between Item 8.16.1.2 and Annex 2 SLD, particularly on certain existing electrical components that are no longer included in the TOR but are still reflected in the SLD.</p>	<p>Notwithstanding the discrepancy between the TOR and the Annex 2 SLD the revised SLD shall prevail.</p> <p>Attached is the revised copy of Single Line Diagram (SLD).</p>

This shall form an integral part of the Bid Documents.

For guidance and information of all participating bidders.

Sgd.
ATTY. ERIC CHRISTOPHER AMADO J. AGSAOAY
Vice-Chairperson, PAGASA-BAC

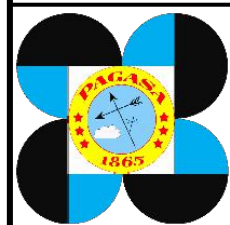


NOTES:

- DRAWINGS IN **BLACK** INDICATE EXISTING ELECTRICAL SYSTEMS.
- DRAWINGS IN **RED** REPRESENT NEW INSTALLATIONS COVERED UNDER THIS PROJECT.
- THE POWER SUPPLY FOR THE NEW CUSTOMIZED WORKSTATION TABLE SHALL BE TAPPED FROM DISTRIBUTION PANEL **DP-A**, **CIRCUIT NO. 7**.

SINGLE LINE DIAGRAM

NOT TO SCALE



OWNER NATHANIEL T. SERVANDO, Ph. D. ADMINISTRATOR	ENGINEER MAXIMO F. PERALTA Chief, ETSD	ENGINEER DIOSDADO S. ORNUM WFS-III, EPSU-METTSS, ETSD	PROJECT TITLE REHABILITATION OF APARRI PAGASA RADAR	SHEET CONTENT AS-BUILT SINGLE LINE DIAGRAM	DRAWN BY: ACM. CRUZ	REVISIONS		SHEET NO.
	LICENCE NO.: PTR NO.:	VALID UNTIL: DATE ISSUED:	LICENCE NO.: PTR NO.:	VALID UNTIL: DATE ISSUED:	CHECKED: FA. AUSTRIA, Jr.	REV. 1	25 MAY 2026	E/1
LOCATION: BRGY. PUNTA, APARRI, CAGAYAN				DATE: 15 SEPT. 2025				ELECTRICAL